

Build your own tournament *Fantasy Chess*® MINI-set.

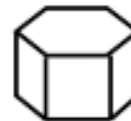


5/8" hex nuts are used for official play of MINI *Fantasy Chess*. You can just play with the bases or mount 15mm lead miniatures on top.

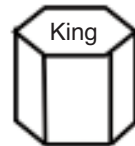
Create your own armies!



Chess pieces will be on 5/8" base.

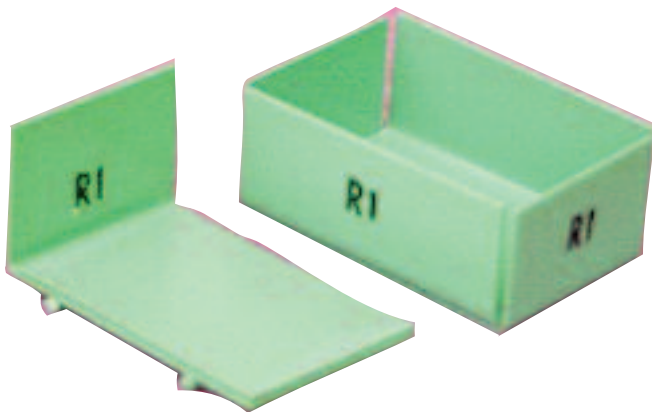


5/8"

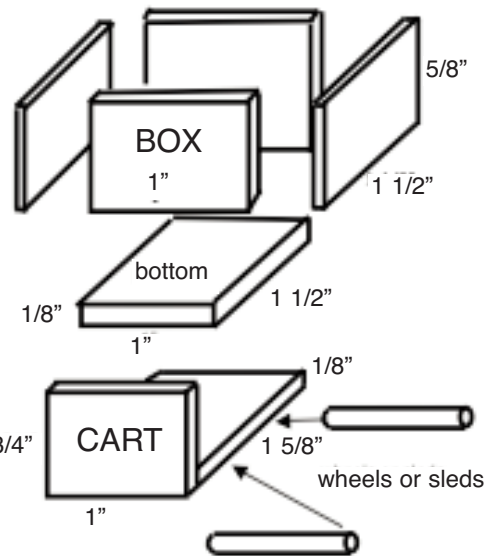


5/8"

If you can, put the king on a taller base.



Castles do not have any figures on top. They have a base cart and box walls. Glue sides of walls together into a box, but do not glue box to cart.



Make your sets out of wood, foamcore, cardboard, etc. Paint your teams in different colors. Stamp or paint their numbers on them. Glue your favorite lead figures on top. Choose your genre: Napoleonics * Mech Warrior * WW II * SpaceShip * Animal * Fantasy -Orc/Dwarf/Elf/Undead/Human



SHADOW HEX
GAMES

Contact us at www.shadowhex.com
or shadowhex@earthlink.net

Interested in manufacturing
Fantasy Chess pieces?
Contact us.